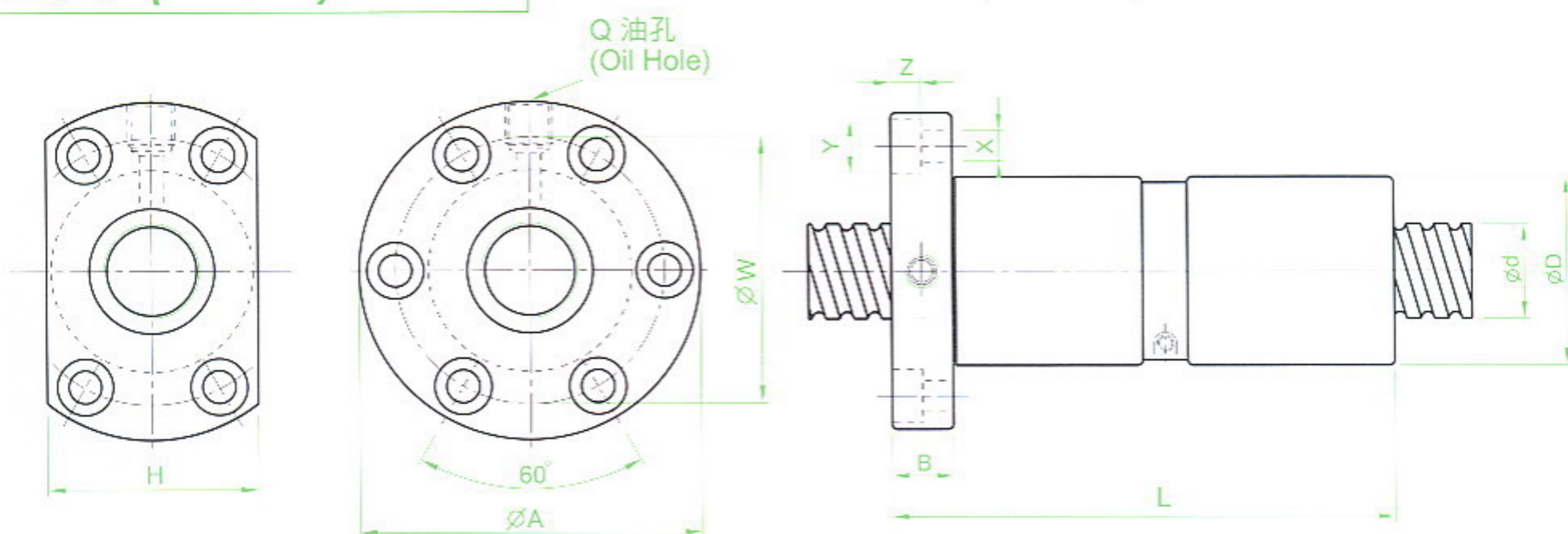


TBI 滾珠螺桿規格表 Dimension Table of TBI Ball Screws

型式 (TYPE) : DFI



單位(Unit) : mm

l: 導程 Lead Da: 珠徑 Ball Dia. n: 珠圈數 Number of Circuits K: 剛性 Stiffness (Kgf/μm)

Ca: 動額定負荷 Basic Dynamic Rating Load (Kgf) Coa: 靜額定負荷 Basic Static Rating Load(Kgf)

型號 Model No.	滾珠螺桿、螺帽之基準數據 Dimensions																
	d	l	Da	D	A	B	L	W	H	X	Y	Z	Q	n	Ca	Coa	K
★ DFI01604-4	16	4	2.381	30	49	10	80	39	34	4.5	8	4.5	M6	4	640	1340	35
★ DFI01605-4		5	3.175	30	49	10	100	39	34	4.5	8	4.5	M6	4	780	1790	36
DFI02004-4	20	4	2.381	34	57	11	80	45	40	5.5	9.5	5.5	M6	4	670	1480	41
★ DFI02005-4		5	3.175	34	57	11	101	45	40	5.5	9.5	5.5	M6	4	1130	2380	45
DFI02504-4	25	4	2.381	40	63	11	80	51	46	5.5	9.5	5.5	M6	4	760	1950	48
★ DFI02505-4		5	3.175	40	63	11	101	51	46	5.5	9.5	5.5	M8	4	1280	3110	63
★ DFI02510-4		10	4.762	46	72	12	145	58	52	6.5	11	6.5	M6	4	1944	3877	65
DFI03204-4	32	4	2.381	46	72	12	80	58	52	6.5	11	6.5	M6	4	860	3050	56
★ DFI03205-4		5	3.175	46	72	12	102	58	52	6.5	11	6.5	M8	4	1450	4150	72
★ DFI03210-4		10	6.35	54	88	15	162	70	62	9	14	8.5	M8	4	3390	7170	72
★ DFI04005-4	40	5	3.175	56	90	15	105	72	64	9	14	8.5	M8	4	1610	5330	98
★ DFI04010-4		10	6.35	62	104	18	165	82	70	11	17.5	11	M8	4	3910	9520	90
DFI05010-4	50	10	6.35	72	114	18	171	92	82	11	17.5	11	M8	4	4450	12500	117
★ DFI06310-4	63	10	6.35	85	131	22	182	107	95	14	20	13	M8	4	5070	16600	114
★ DFI08010-4	80	10	6.35	105	150	22	182	127	115	14	20	13	M8	4	5620	21300	162

備註: 有標註 ★ 記號者可製作左螺紋 Note: with sign ★ can produce left helix