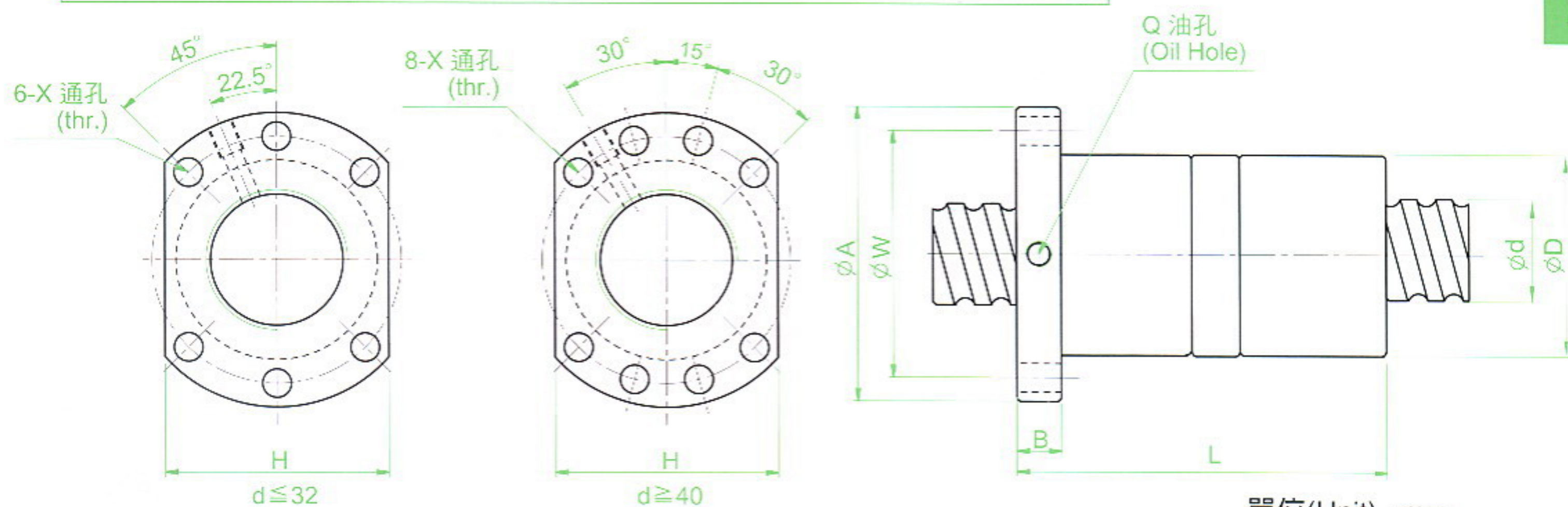


# TBI 滾珠螺桿規格表 Dimension Table of TBI Ball Screws

## 型式 (TYPE) : DFU(DIN 69051 FORM B)



單位(Unit) : mm

l: 導程 Lead Da: 珠徑 Ball Dia. n: 珠圈數 Number of Circuits K: 剛性 Stiffness (Kgf/μm)

Ca: 動額定負荷 Basic Dynamic Rating Load (Kgf) Coa: 靜額定負荷 Basic Static Rating Load(Kgf)

型號 Model No.	滾珠螺桿、螺帽之基準數據 Dimensions														
	d	l	Da	D	A	B	L	W	X	H	Q	n	Ca	Coa	K
★ DFU01604-4	16	4	2.381	28	48	10	80	38	5.5	40	M6	4	629	1270	35
★ DFU01605-4		5	3.175	28	48	10	100	38	5.5	40	M6	4	780	1790	20
★ DFU01610-3		10	3.175	28	48	10	118	38	5.5	40	M6	3	721	1249	15
DFU02004-4	20	4	2.381	36	58	10	80	47	6.6	44	M6	4	699	1617	41
★ DFU02005-4		5	3.175	36	58	10	101	47	6.6	44	M6	4	1130	2380	25
DFU02504-4		4	2.381	40	62	10	80	51	6.6	48	M6	4	777	2052	48
★ DFU02505-4	25	5	3.175	40	62	10	101	51	6.6	48	M6	4	1280	3110	35
DFU02506-4		6	3.969	40	62	10	105	51	6.6	48	M6	4	1528	3284	40
DFU02508-4		8	4.762	40	62	10	120	51	6.6	48	M6	4	1941	3863	38
★ DFU02510-4	10	4.762	40	62	12	145	51	6.6	48	M6	4	1944	3877	33	
DFU03204-4	32	4	2.381	50	80	12	80	65	9	62	M6	4	871	2661	56
★ DFU03205-4		5	3.175	50	80	12	102	65	9	62	M6	4	1450	4150	40
DFU03206-4		6	3.969	50	80	12	105	65	9	62	M6	4	1720	4298	47
DFU03208-4		8	4.762	50	80	12	122	65	9	62	M6	4	2189	5079	44
★ DFU03210-4	10	6.350	50	80	12	162	65	9	62	M6	4	3390	7170	79	
★ DFU04005-4	40	5	3.175	63	93	14	105	78	9	70	M8	4	1610	5330	49
DFU04006-4		6	3.969	63	93	14	108	78	9	70	M6	4	1911	5458	55
DFU04008-4		8	4.762	63	93	14	132	78	9	70	M6	4	2435	6469	52
★ DFU04010-4		10	6.350	63	93	14	165	78	9	70	M8	4	3910	9520	50
DFU05010-4	50	10	6.350	75	110	16	171	93	11	85	M8	4	4450	12500	65
★ DFU05020-4		20	7.144	75	110	16	280	93	11	85	M8	4	4644	14327	59.5
★ DFU06310-4	63	10	6.350	90	125	18	182	108	11	95	M8	4	5070	16600	80
DFU06320-4		20	9.525	95	135	20	290	115	13.5	100	M8	4	7573	23860	84.1
★ DFU08010-4	80	10	6.350	105	145	20	182	125	13.5	110	M8	4	5620	21300	90
DFU08020-4		20	9.525	125	165	25	295	145	13.5	130	M8	4	8485	30895	84.1
DFU10020-4	100	20	9.525	150	202	30	340	170	17.5	155	M8	4	9420	39183	300

備註: 有標註 ★ 記號者可製作左螺紋 Note: with sign ★ can produce left helix