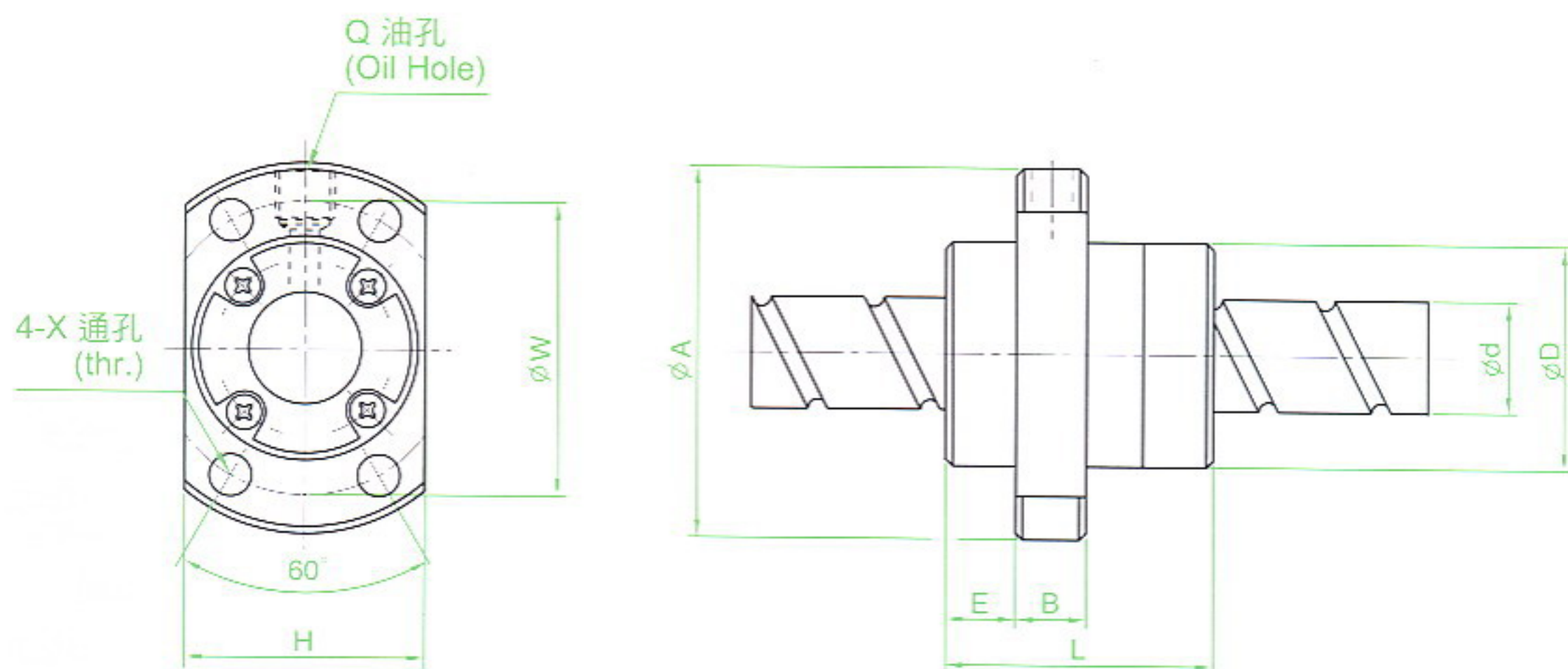


TBI 滾珠螺桿規格表 Dimension Table of TBI Ball Screws

型式 (TYPE) : SFE



單位(Unit) : mm

I: 導程 Lead Da: 珠徑 Ball Dia. n: 珠圈數 Number of Circuits K: 剛性 Stiffness (Kgf/μm)
 Ca: 動額定負荷 Basic Dynamic Rating Load (Kgf) Coa: 靜額定負荷 Basic Static Rating Load(Kgf)

型號 Model No.	滾珠螺桿、螺帽之基準數據 Dimensions															
	d	l	Da	D	A	E	B	L	X	W	H	Q	n	Ca	Coa	K
SFE01616-3	16	16	2.778	32	53	10.1	10	38	4.5	42	34	M6	1.7x2	650	1280	19
SFE01616-6		16	2.778	32	53	10.1	10	38	4.5	42	34	M6	1.7x4	1180	2550	36
SFE01632-3	16	32	3.175	34	55	10.5	10	34	5.5	45	36	M6	0.7x2	410	680	21
SFE01632-6		32	3.175	34	55	10.5	10	34	5.5	45	36	M6	0.7x4	820	1360	41
SFE02020-3	20	20	3.175	39	62	11.5	10	47	5.5	50	41	M6	1.7x2	980	2140	25
SFE02020-6		20	3.175	39	62	11.5	10	47	5.5	50	41	M6	1.7x4	1780	4280	49
SFE02040-3	20	40	3.175	38	58	11	10	41	5.5	48	40	M6	0.7x2	455	880	25
SFE02040-6		40	3.175	38	58	11	10	41	5.5	48	40	M6	0.7x4	910	1760	49
SFE02525-3	25	25	3.969	47	74	13	12	57	6.6	60	49	M6	1.7x2	1470	3350	31
SFE02525-6		25	3.969	47	74	13	12	57	6.6	60	49	M6	1.7x4	2660	6690	60
SFE02550-3	25	50	3.969	46	70	13	12	50	6.6	58	48	M6	0.7x2	685	1380	31
SFE02550-6		50	3.969	46	70	13	12	50	6.6	58	48	M6	0.7x4	1370	2760	60
SFE03232-3	32	32	4.762	58	92	16	12	71	9	74	60	M6	1.7x2	2140	5260	40
SFE03232-6		32	4.762	58	92	16	12	71	9	74	60	M6	1.7x4	3890	10500	76
SFE03264-3	32	64	4.762	58	92	15.5	12	62	9	74	60	M6	0.7x2	1000	2130	40
SFE03264-6		64	4.762	58	92	15.5	12	62	9	74	60	M6	0.7x4	2000	4260	77
SFE04040-3	40	40	6.350	73	114	19	15	89	11	93	75	M6	1.7x2	3410	8820	49
SFE04040-6		40	6.350	73	114	19	15	89	11	93	75	M6	1.7x4	6200	17600	95
SFE05050-3	50	50	7.938	90	135	21.5	20	107	14	112	92	M6	1.7x2	5100	13800	60
SFE05050-6		50	7.938	90	135	21.5	20	107	14	112	92	M6	1.7x4	7260	27600	117

註: 1. "-3" 代表雙迴流 "-6" 代表四迴流。 2. 螺帽標準品無刮刷器, 如須刮刷器, 請告知業務人員。

Note: 1. "-3" means 2 starts, "-6" means 4 starts.

Note: 2. TBI Standard nuts are no seals, if required, please advise.