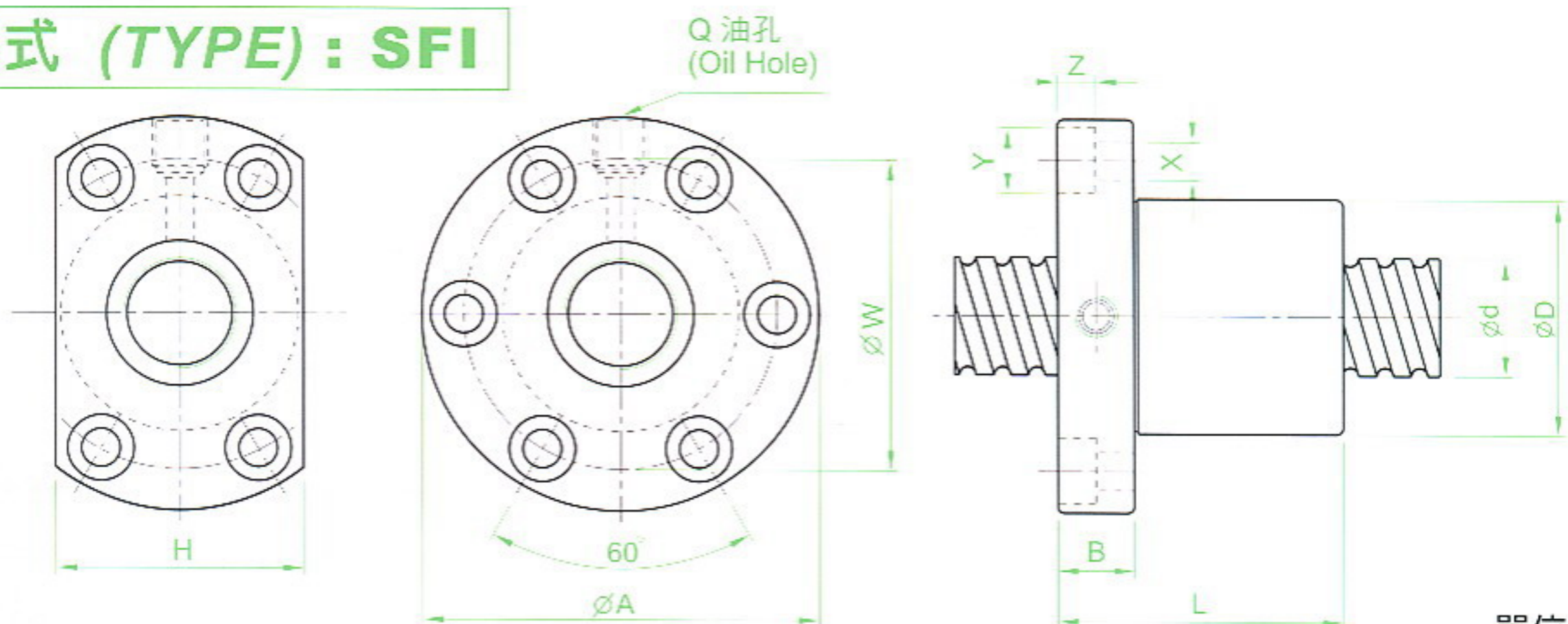


TBI 滾珠螺桿規格表 Dimension Table of TBI Ball Screws

型式 (TYPE) : SFI



單位(Unit) : mm

l: 導程 Lead Da: 珠徑 Ball Dia. n: 珠圈數 Number of Circuits K: 剛性 Stiffness (Kgf/μm)
 Ca: 動額定負荷 Basic Dynamic Rating Load (Kgf) Coa: 靜額定負荷 Basic Static Rating Load(Kgf)

型號 Model No.	滾珠螺桿、螺帽之基準數據 Dimensions																
	d	l	Da	D	A	B	L	W	H	X	Y	Z	Q	n	Ca	Coa	K
★ SFI01604-4		4	2.381	30	49	10	45	39	34	4.5	8	4.5	M6	4	640	1340	16
★ SFI01605-4	16	5	3.175	30	49	10	50	39	34	4.5	8	4.5	M6	4	780	1790	20
★ SFI01610-3		10	3.175	34	58	10	57	45	34	5.5	9.5	5.5	M6	3	833	1249	15
SFI02004-4		4	2.381	34	57	11	46	45	40	5.5	9.5	5.5	M6	4	670	1480	25
★ SFI02005-4	20	5	3.175	34	57	11	51	45	40	5.5	9.5	5.5	M6	4	1130	2380	25
★ SFI0205T-4		5.08	3.175	34	57	11	51	45	40	5.5	9.5	5	M6	4	1130	2380	25
★ SFI02504-4		4	2.381	40	63	11	46	51	46	5.5	9.5	5.5	M6	4	760	1950	31
★ SFI02505-4	25	5	3.175	40	63	11	51	51	46	5.5	9.5	5	M8	4	1280	3110	35
SFI02510-4		10	4.762	46	72	12	85	58	52	6.5	11	6.5	M6	4	1944	3877	33
SFI03204-4		4	2.381	46	72	12	47	58	52	6.5	11	6.5	M6	4	860	3050	40
★ SFI03205-4	32	5	3.175	46	72	12	52	58	52	6.5	11	6	M8	4	1450	4150	40
★ SFI03210-4		10	6.35	54	88	15	90	70	62	9	14	8.5	M8	4	3390	7170	40
★ SFI04005-4		5	3.175	56	90	15	55	72	64	9	14	8.5	M8	4	1610	5330	49
★ SFI04010-4	40	10	6.35	62	104	18	93	82	70	11	17.5	11	M8	4	3910	9520	50
SFI05010-4	50	10	6.35	72	114	18	93	92	82	11	17.5	11	M8	4	4450	12500	65
★ SFI06310-4	63	10	6.35	85	131	22	98	107	95	14	20	13	M8	4	5070	16600	80
★ SFI08010-4	80	10	6.35	105	150	22	98	127	115	14	20	13	M8	4	5620	21300	90

備註: 有標註 ★ 記號者可製作左螺紋 Note: with sign ★ can produce left heli