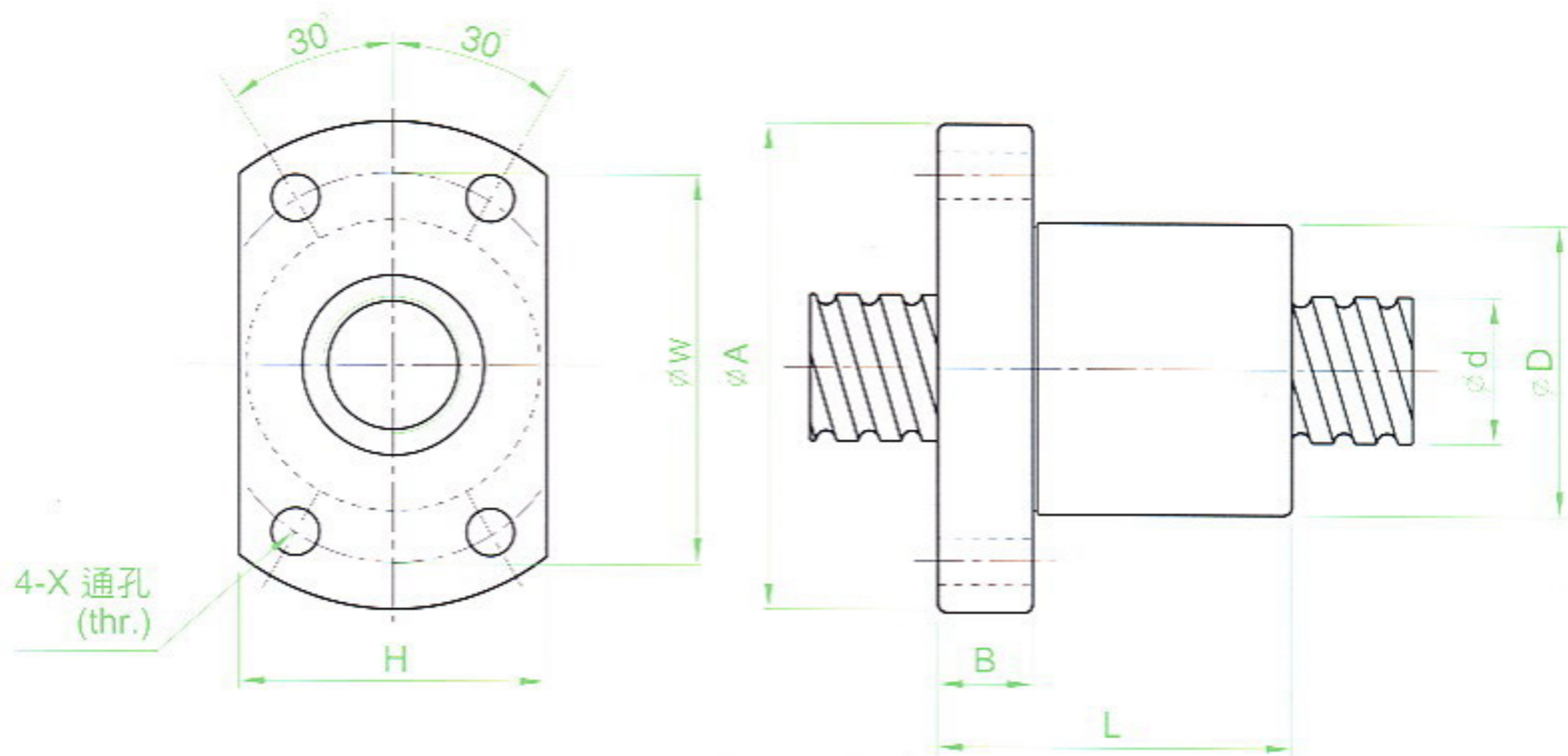


TBI 滾珠螺桿規格表 Dimension Table of TBI Ball Screws

型式 (TYPE) : SFK



單位(Unit) : mm

l: 導程 Lead Da: 珠徑 Ball Dia. n: 珠圈數 Number of Circuits K: 剛性 Stiffness (Kgf/μm)
 Ca: 動額定負荷 Basic Dynamic Rating Load (Kgf) Coa: 靜額定負荷 Basic Static Rating Load(Kgf)

型號 Model No.	滾珠螺桿、螺帽之基準數據 Dimensions																
	d	l	Da	D	A	B	L	W	H	X	Y	Z	Q	n	Ca	Coa	K
★ SFK00401	4	1	0.8	10	20	3	12	15	14	2.9	-	-	-	2	40	51	2.8
★ SFK00601	6	1	0.8	12	24	3.5	15	18	16	3.4	-	-	-	3	73	121	6.8
★ SFK00801		1	0.8	14	27	4	16	21	18	3.4	-	-	-	4	93	173	10.7
★ SFK00802	8	2	1.2	14	27	4	16	21	18	3.4	-	-	-	3	135	225	8.2
★ SFK0082.5		2.5	1.2	16	29	4	26	23	20	3.4	-	-	-	3	177	278	8.2
★ SFK01002		2	1.2	18	35	5	28	27	22	4.5	-	-	-	3	185	305	10.1
★ SFK01004		4	2	26	46	10	34	36	28	4.5	8	4.5	M6	3	395	590	10.4
★ SFK01202		2	1.2	20	37	5	28	29	24	4.5	-	-	-	4	173	317	16.1
★ SFK01402	14	2	1.2	21	40	6	23	31	26	5.5	-	-	-	4	287	633	18.6
SFK01602	16	2	1.2	25	43	10	40	35	29	5.5	-	-	-	4	253	670	21.2

註: 1. $\phi 4 \sim \phi 6$ 螺帽無刮刷器。
 2. 螺帽標準品無刮刷器，如需刮刷器，請告知業務人員。

備註: 有標註 ★ 記號者可製作左螺紋
 Note: with sign ★ can produce left helix

Note : 1. Nuts do not have seals from $\phi 4$ to $\phi 6$.

Note : 2. TBI Standard nuts are no seals, if required, please advise.