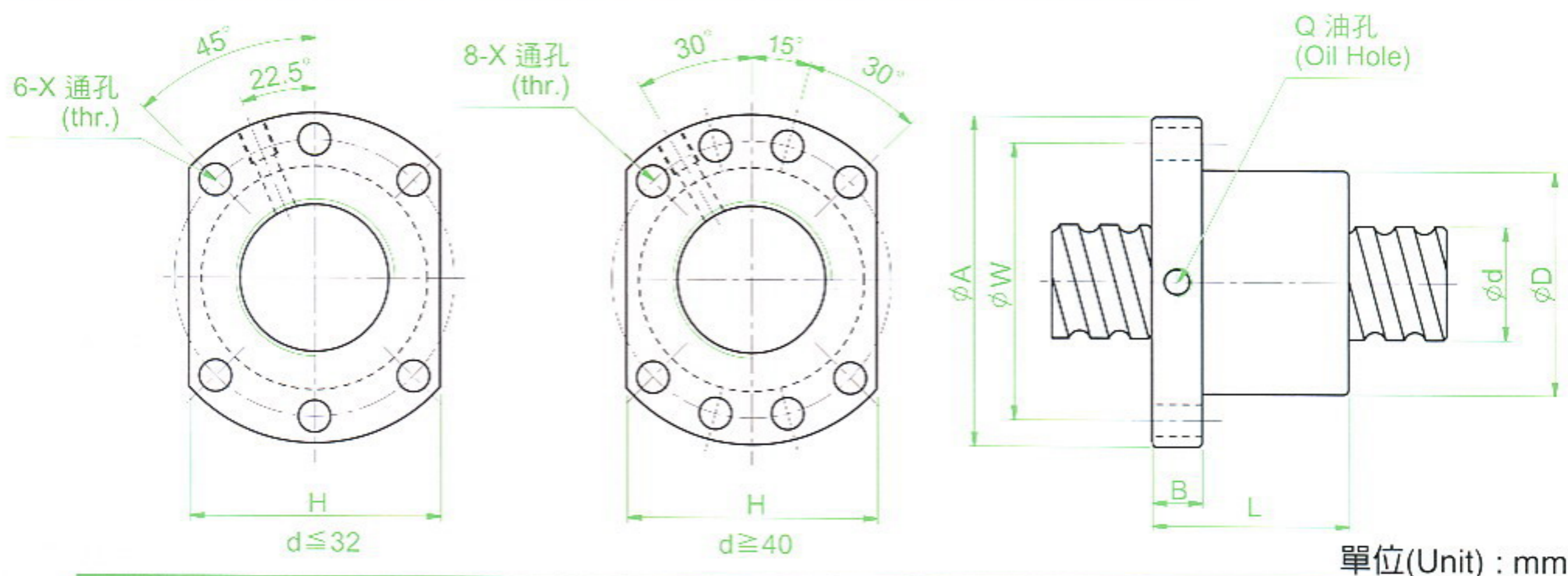


# TBI 滾珠螺桿規格表 Dimension Table of TBI Ball Screws

**型式 (TYPE) : SFU(DIN 69051 FORM B)**



l: 導程 Lead Da: 珠徑 Ball Dia. n: 珠圈數 Number of Circuits K: 剛性 Stiffness (Kgf/ $\mu$ m)  
 Ca: 動額定負荷 Basic Dynamic Rating Load (Kgf) Coa: 靜額定負荷 Basic Static Rating Load(Kgf)

型號 Model No.	滾珠螺桿、螺帽之基準數據 Dimensions														
	d	l	Da	D	A	B	L	W	X	H	Q	n	Ca	Coa	K
SFU01204-4	12	4	2.5	24	40	10	40	32	4.5	30		4	593	1129	12.5
★ SFU01604-4		4	2.381	28	48	10	40	38	5.5	40	M6	4	629	1270	35
★ SFU01605-4	16	5	3.175	28	48	10	50	38	5.5	40	M6	4	780	1790	20
★ SFU01610-3		10	3.175	28	48	10	57	38	5.5	40	M6	3	721	1249	15
SFU02004-4	20	4	2.381	36	58	10	42	47	6.6	44	M6	4	699	1617	41
★ SFU02005-4		5	3.175	36	58	10	51	47	6.6	44	M6	4	1130	2380	25
SFU02504-4	25	4	2.381	40	62	10	42	51	6.6	48	M6	4	777	2052	48
★ SFU02505-4		5	3.175	40	62	10	51	51	6.6	48	M6	4	1280	3110	35
SFU02506-4		6	3.969	40	62	10	54	51	6.6	48	M6	4	1528	3284	40
SFU02508-4		8	4.762	40	62	10	63	51	6.6	48	M6	4	1941	3863	38
★ SFU02510-4		10	4.762	40	62	12	85	51	6.6	48	M6	4	1944	3877	33
SFU03204-4	32	4	2.381	50	80	12	44	65	9	62	M6	4	871	2661	56
★ SFU03205-4		5	3.175	50	80	12	52	65	9	62	M6	4	1450	4150	40
SFU03206-4		6	3.969	50	80	12	57	65	9	62	M6	4	1720	4298	47
SFU03208-4		8	4.762	50	80	12	65	65	9	62	M6	4	2189	5079	44
★ SFU03210-4		10	6.350	50	80	12	90	65	9	62	M6	4	3390	7170	79
★ SFU04005-4	40	5	3.175	63	93	14	55	78	9	70	M8	4	1610	5330	49
SFU04006-4		6	3.969	63	93	14	60	78	9	70	M6	4	1911	5458	55
SFU04008-4		8	4.762	63	93	14	67	78	9	70	M6	4	2435	6469	52
★ SFU04010-4		10	6.350	63	93	14	93	78	9	70	M8	4	3910	9520	50
SFU05010-4	50	10	6.350	75	110	16	93	93	11	85	M8	4	4450	12500	65
★ SFU05020-4		20	7.144	75	110	16	138	93	11	85	M8	4	4644	14327	59.5
★ SFU06310-4	63	10	6.350	90	125	18	98	108	11	95	M8	4	5070	16600	80
SFU06320-4		20	9.525	95	135	20	149	115	13.5	100	M8	4	7573	23860	84.1
★ SFU08010-4	80	10	6.350	105	145	20	98	125	13.5	110	M8	4	5620	21300	90
SFU08020-4		20	9.525	125	165	25	154	145	13.5	130	M8	4	8485	30895	84.1
SFU10020-4	100	20	9.525	150	202	30	180	170	17.5	155	M8	4	9420	39183	110.1

備註: 有標註 ★ 記號者可製作左螺紋 Note: with sign ★ can produce left helix